

BERYL

OUTDOOR RENTAL LED DISPLAY

P2.98 P3.91 P4.81



BERYL

OVERVIEW

With a pixel pitch ranging from P2.98 to P4.81 mm specially designed for outdoor rental installations.

The BERYL is made for rental but can also be used for fixed installations. A user friendly cabinet allowing curved angles, an easy maintenance and a fast installation process.

RENTAL LED DISPLAY
OUTDOOR (IP65)

P2.98 - P3.91 - P4.81

5000 - 5500 NITS @5VOLTS

500 X 500 X 86 MM

500 X 1000 X 86 MM

BACK MAINTENANCE

CORNER PROTECTION

ALUMINUM ANODISED

9.1 - 16.5 KG/CABINET

CABINET SIZE

500 x 500 x 86 mm



500 x 1000 x 86 mm



BERYL

MAIN FEATURES

X **OUTSTANDING IMAGE QUALITY**

The BERYL was designed to achieve outstanding image quality. Black face SMD provides Broadcast-ready contrast, with a pixel pitch ranging from P2.98 to P4.81, It's one of the easiest and fastest cabinet to maneuver and install.

X **INSTALLATION**

The BERYL has been designed to be user friendly, carrying 9.1 to 16.5kg per cabinets and its tool-less locking system, the BERYL can be easily installed by one Technician.

The BERYL innovative sidelock enables concave & convex installation using our 5 angles rotative system.

Hanging Bars and Stacking system option is available



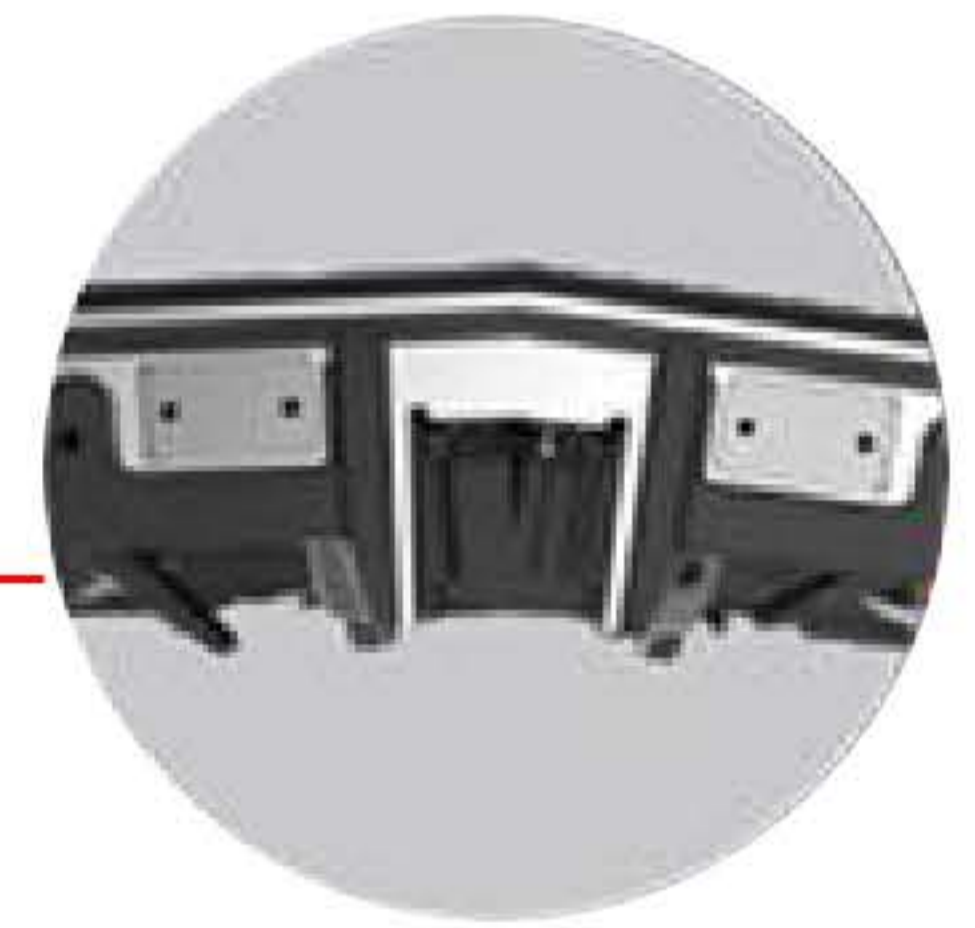
**5 different
Curve angles**



Corner Protection



**Power Supply
Plug in place system**



Curved angles



BERYL

MAIN FEATURES



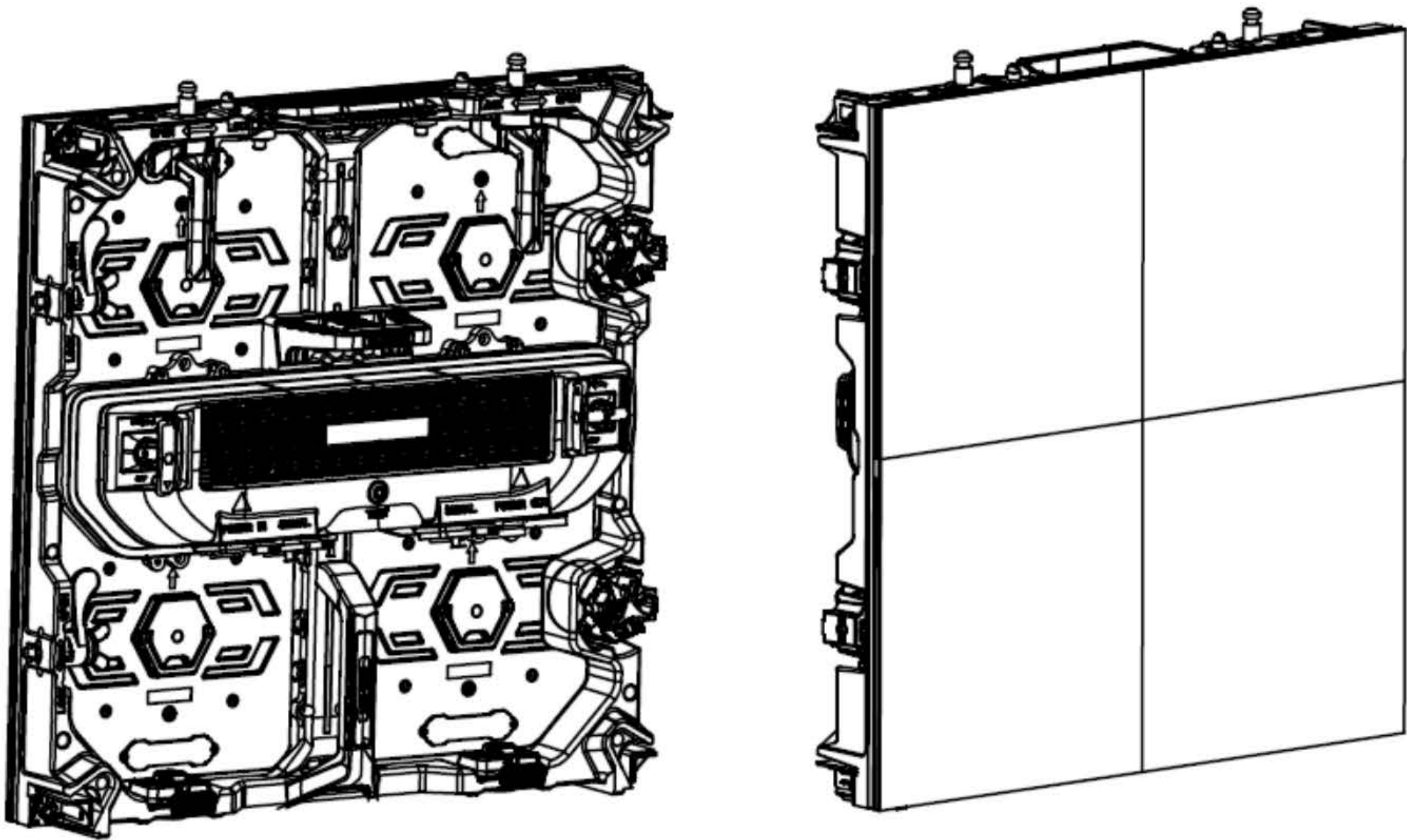
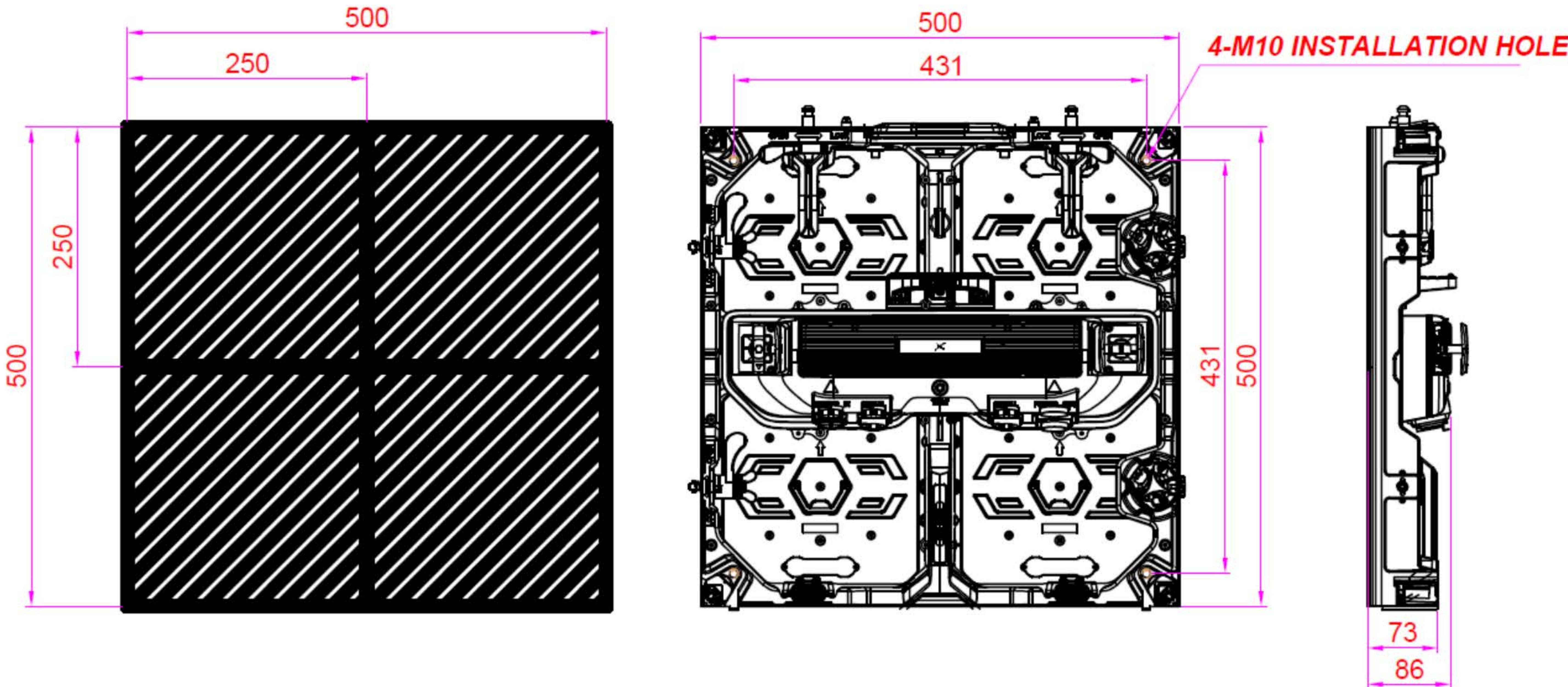
 **EASY HANGING SYSTEM**

 **STACKING SYSTEM**



BERYL

TECHNICAL DRAWING



BERYL

TECHNICAL SPECIFICATIONS

OUTDOOR				
Product Parameters	Unit	2,9	3,9	4,8
Pixel Pitch	mm	2,98	3,91	4,81
LED		SMD1415 Black face (full black face option available)	SMD1921 Black face (full black face option available)	
Application		Touring System + Climable		
Ingress Protection	IP	IP65		
Brightness	cd/sqm	up to 5000 NITS @5volts	up to 5500Nits @5volts	up to 5500 Nits @5volts
Color Temperature after calib (adjustable)	deg. K	6500		
Viewing Angle (50% brightness)	deg.	140(+/-70) H / 140 V		
Cabinet Size (WxHxD) in mm	mm	500 x 500 x 86	500 x 500 x 86 and 500 x 1000 x 86	
Module Size (WxHxD) in mm	mm	250 x 250 x 15		
Pixel Matrix Per Cabinet (W x H)	px	168 x 168	128 x 128 / 128 x 256	104 x 104 / 104 x 208
Pixel Matrix Per Module (W x H)	px	84 x 84	64 x 64	52 x 52
Pixel Density	px/sqm	16384	16384	10816
Weight of cabinet and modules	kg	9,5	9.1 / 16.5	
Cabinet Material		Aluminum Anodised		
Maintenance Mode		Back Access		
Mask specification		95% Plastic + 5% Fiber / Clip type (no screws) / No Shaders		
Contrast Ratio		High		
Grey scale (linear)	bit	16		
Brightness control	bit	16		
Processing depth	bit	16		
Color		281 Trillions		
Display Refresh Rate	Hz	3840		
Operation Power	V	AC85-230V		
Max. Power Consumption per cabinet	W	Estimation: 300W / Can change with calibration		
Average Power Consumption per cabinet	W	Estimation: 120W / Can change with calibration		
Control Mode		Synchronisation		
Video Frame Rate	Hz	50/60Hz		
Input Types Supported		DVI / SDI / HDMI		
3D ready (optional)		yes		
Calibration		yes		
Lifetime (50% brightness)	h	50000		
Operating Humidity Range		10-95%		
Operating Temperature Range		-10°C / +50°C		
Screen Uniformity Correction		Below 0.0001 (Out of Control point)		
Certification		CE / ETL / CCC		
Features		Corner Protection / Curve		
Compatibility		All sizes compatible to each other		



Information and design in this leaflet are subject to Artixium France SAS copyright. No material from this leaflet can be used in any context without ARTIXIUM approval. Designs and specifications are subject to change without notice. All images of ARTIXIUM products components and accessories used here are also subject to change without notice. All information presented herein is based on the latest information at the time of publishing. Actual results of performance and other specifications may differ or vary with production models and may depend on selected options and model ranks.